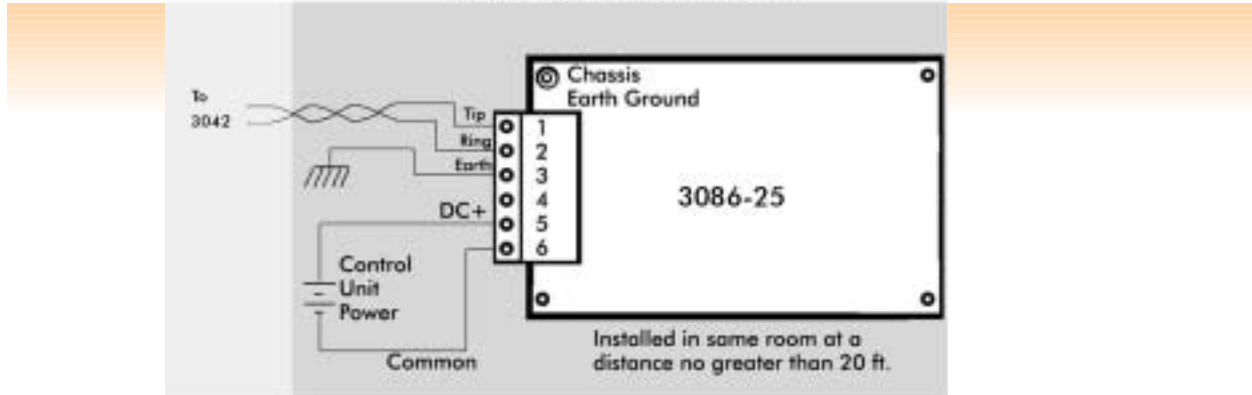


**3086-25 TTM-SEC
 Secure Tones Transmitter**

Wiring Diagram
 All circuits are power limited



General

The 3086-25 TTM-SEC (Secure Tone Transmitter) transmits the "secure" tone only. This manual describes the installation of the TTM-SEC. The 3086-25 TTM-SEC is intended for connection to a 3042-25 zone tones nest subscriber card for the purposes of holding from 1-25 zones secure.

Installation

Connect the positive side of a 10-30 VDC Class 2 or Class 3 power limited source of supply to pin 5, and the negative side to pin 6. Note that pin 6 is not an earth ground. Connect pins 1 and 2 to the wiring for the 3042. These lines are electrically isolated from the main circuit of the TTM. These pins are interchangeable. Pin 3 is the earth ground. Connect either this pin or the conductive mounting hole to an earth ground.

No inputs need be connected.

3086-25 Pin description			
Pin#	Name	Type	Description
1	Tip	Output	Connects to one side of the communications wire pair
2	Ring	Output	Connects to the other side of the communications wire pair
3			No connection
4			No connection
5	DC+	Input	Positive 10 - 30 volts DC power input
6	Common	Input	Negative DC power input

Keltron develops and manufactures secure, reliable, UL-listed fire and security alarm response management systems and components for the municipal and proprietary life safety markets. Products include radio fire alarm, coded fire alarm and high-line security systems, digital alarm receivers, universally compatible fire alarm control panel networking solutions and a full line of alarm annunciators. For more information, visit www.keltroncorp.com or contact us at 781-894-8710, or info@keltroncorp.com.

© 2003 Keltron Corporation. All rights reserved.

SUPERVISION

The TTM-25 is supervised in that a loss of power will cause a loss of the secure tone signal just as if the line were cut.

3086-25 SPECIFICATIONS

Connection	Terminal lugs	Communication medium	Hard wire connection
Min supply Voltage	10	Communication method	Freq. Mod.
Max Supply Voltage	30	Frequency range	600Hz-1700Hz
Supply Current	7.5mA @ 12v DC	Environmental	
		Operating temperature	0 to 49 degrees C
		Storage temperature	-25 to 70 degrees C
		Relative Humidity	Non-condensing 20 to 85%
Tone (output)		Dimensions (L x W x H)	
Level	-6dB (0 dBm = 1mW)	3086-25 (PC board)	4.0" x 2.5" x 1.0"
Impedance	8 ohms	TBX1 (enclosure)	5.0" x 4.7" x 1.7"
Other features	Isolation and lightning protection	Weight	
		3086-25 (PC board)	0.13 lb
		TBX1 (enclosure)	0.52 lb

NOTES:

- 1. TTM-25 unit is comprised of a TBX1 Enclosure and a 95M3086-25 Printed Circuit Board
- 2. TTM-25 is compatible with TRM Receiver module and the 95M3042 subscriber card.

